

TRM-7000 / TRM-7000C

5V / 850 nm / 1.25 Gbps OPTICAL MULTI-MODE TRANSCEIVER

FEATURES

- | Duplex SC Multi-Mode Transceiver
- | Compliant with IEEE-802.3z 1000BASE-SX
- | Industry Standard 1 x 9 Footprint
- | 850 nm VCSEL Transmission
- | 0 to 70°C Operating Temperature
- | Single +5 V Power Supply
- | 300 meter with 62.5/125 μm MMF
- | 500 meter with 50/125 μm MMF
- | PECL Signal Detection Output (TRM-7000)
- | TTL Signal Detection Output (TRM-7000C)
- | Wave Solderable and Aqueous Washable
- | Class 1 Laser International Safety Standard IEC 60825 Compliant

DESCRIPTION

The TRM-7000 series multi-mode transceivers is low power, high performance module for bi-directional serial optical data communications such Gigabit Ethernet and Fiber channel This module is designed for multi-mode fiber and operates at a nominal wavelength of 850 nm. The transmitter section uses a multiple quantum well VCSEL and is a class 1 laser compliant according to International Safety Standard IEC 60825. The receiver section uses an integrated GaAs detector preamplifier (IDP) mounted in an optical header and a limiting post-amplifier IC. A PECL logic interface simplifies interface to external circuitry.

LASER SAFETY

This single mode transceiver is a Class 1 laser product. It complies with IEC 60825 and FDA 21 CFR 1040.10 and 1040.11. The transceiver must be operated within the specified temperature and voltage limits. The optical ports of the module shall be terminated with an optical connector or with a dust plug

APPLICATIONS

- | Switch to Switch Interface
- | High Speed Interface for File Servers
- | High Performance Desktops

ORDER INFORMATION

P/No.	Distance (m)	Wavelength (nm)	Voltage (V)	Connector	Temp. (°C)	TX Power (dBm)	RX Sens. (dBm)	Signal Detection	Case
TRM-7000-EM	300 / 500*	850	5	SC	0 to 70	-4 to -9.5	-18	PECL	Extended
TRM-7000C-EM	300 / 500*	850	5	SC	0 to 70	-4 to -9.5	-18	TTL	Extended
TRM-7100-EM	300 / 500*	850	3.3	SC	0 to 70	-4 to -9.5	-18	LVPECL	Extended
TRM-7100C-EM	300 / 500*	850	3.3	SC	0 to 70	-4 to -9.5	-18	LVTTTL	Extended

Note: Distance: 300 m for 62.5/125 μm MMF, 500 m for 50/125 μm MMF

Absolute Maximum Ratings					
Parameter	Symbol	Min	Max	Units	Notes
Storage Temperature	Tstg	-40	85	°C	
Operating Temperature	Topr	-10	70	°C	
Soldering Temperature	---		260	°C	10 seconds on leads only
Power Supply Voltage	Vcc	-0.5	6	V	
Input Voltage	---	GND	Vcc	V	
Output Current	Iout	0	30	mA	

Recommended Operating Conditions					
Parameter	Symbol	Min	Typ	Max	Units
Power Supply Voltage	Vcc	4.75	5	5.25	V
Operating Temperature	Topr	0		70	°C
Data Rate		100	1250		Mb/s

Transmitter Specifications (0°C < Topr < 70°C, 4.75V < Vcc < 5.25V)						
Parameter	Symbol	Min	Typ	Max	Units	Notes
Optical						
Optical Transmit Power 62.5/125 μm, NA=0.275 Fiber	Po	-9.5	---	-4	dBm	
Optical Transmit Power 50/125 μm, NA=0.20 Fiber	Po	-9.5	---	-4	dBm	
Output Center Wavelength	λ	830	850	860	nm	
Output Spectrum Width	Δλ	---	---	0.85	nm	RMS (σ)
Extinction Ratio	ER	9	---	---	dB	
Output Eye	Compliant with IEEE 802.3z					
Optical Rise Time	tr			0.26	ns	20% to 80% Values
Optical Fall Time	tf			0.26	ns	20% to 80% Values
Relative Intensity Noise	RIN			-117	dB/Hz	
Total Jitter	TJ			227	ps	
Coupled Power Ratio	CPR	9			dB	
Electrical						
Power Supply Current	Icc			120	mA	1
Data Input Current – Low	IIL	-350			μA	
Data Input Current – High	IiH			350	μA	
Differential Input Voltage	V _{IH} - V _{IL}	300			mV	
Data Input Voltage – Low	V _{IL} - V _{CC}	-2.0		-1.58	V	2
Data Input Voltage -- High	V _{IH} - V _{CC}	-1.1		-0.74	V	2

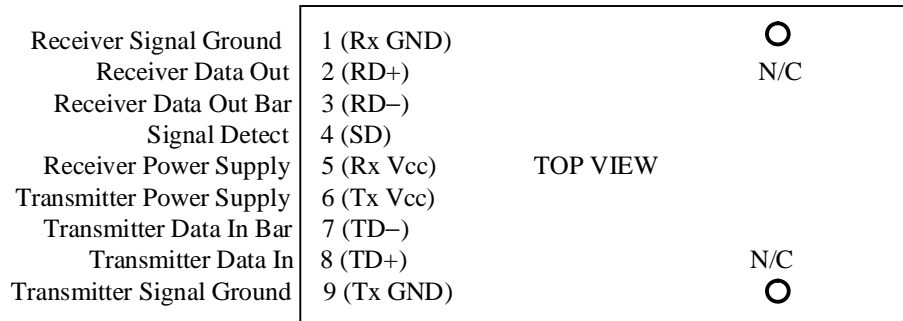
1. Maximum current is specified at Vcc = Maximum @ maximum temperature.
2. These inputs are compatible with 10K, 10KH and 100K ECL and LVPECL inputs.

Receiver Specifications (0°C < Topr < 70°C, 4.75 V < Vcc < 5.25V)

Parameter	Symbol	Min	Typ	Max	Units	Notes
Optical						
Sensitivity	---	---	---	-18	dBm	1
Maximum Input Power	Pin	0	---	---	dBm	
Signal Detect -- Asserted	Pa	---	---	-18	dBm	Transition: low to high
Signal Detect -- Deasserted	Pd	-30	---	---	dBm	Transition: high to low
Signal detect -- Hysteresis		1.0	---	4.0	dB	
Wavelength of Operation		770	---	860	nm	
Electrical						
Power Supply Current	Icc			100	mA	2
Data Output Voltage – Low	V _{OL} - V _{CC}	-2.0		-1.58	V	3
Data Output Voltage – High	V _{OH} - V _{CC}	-1.1		-0.74	V	3
Signal Detect Output Voltage -- Low	V _{OL} - V _{CC}	-2.0		-1.58	V	TRM-7000
Signal Detect Output Voltage -- High	V _{OH} - V _{CC}	-1.1		-0.74	V	
Signal Detect Output Voltage -- Low	V _{SDL}			0.8	V	TRM-7000C
Signal Detect Output Voltage -- High	V _{SDH}	2.0			V	

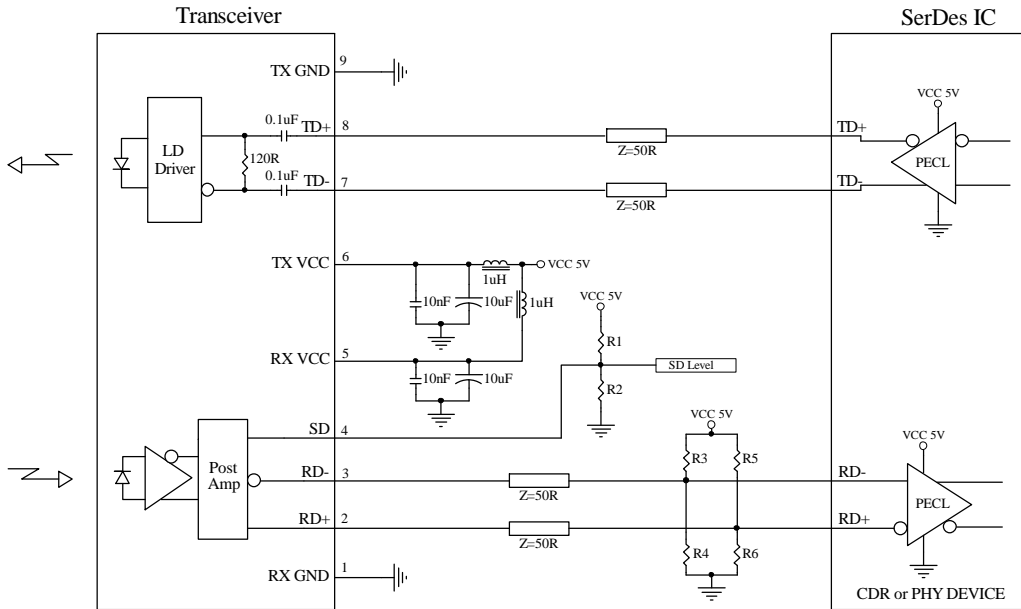
1. Minimum sensitivity and saturation levels at BER=1E-12 for a 2⁷-1 PRBS.
2. The current excludes the output load current.
3. These outputs are compatible with 10K, 10KH and 100K ECL and PECL inputs.

CONNECTION DIAGRAM



PIN	Symbol	Notes
1	Rx GND	Directly connect this pin to the receiver ground plane
2	RD+	See recommended circuit schematic
3	RD-	See recommended circuit schematic
4	SD	Active high on this indicates a received optical signal
5	Rx Vcc	+5V dc power for the receiver section
6	Tx Vcc	+5V dc power for the transmitter section
7	TD-	See recommended circuit schematic
8	TD+	See recommended circuit schematic
9	Tx GND	Directly connect this plan to the transmitter ground plane

RECOMMENDED CIRCUIT SCHEMATIC

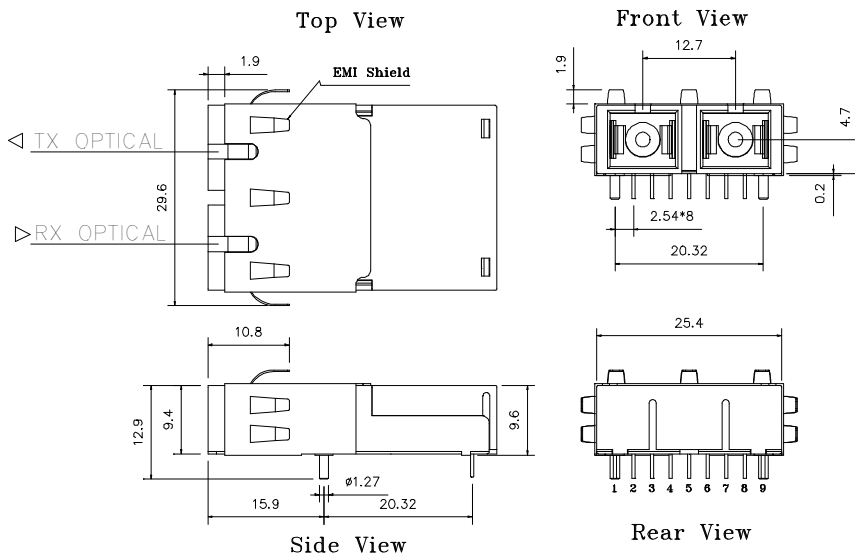


For TTL SD Level R1=R2=N.C., R3=R5=82R, R4=R6=130R
 For PECL SD Level R1=R3=R5=82R, R2=R4=R6=130R

The split-load terminations for ECL signals need to be located at the input of devices receiving those ECL signals. The power supply filtering is required for good EMI performance. Use short tracks from the inductor L1/L2 to the module Rx Vcc and Tx Vcc. A GND plane under the module is required for good EMI and sensitivity performance.

PACKAGE DIAGRAM

Units in mm



TRM-7000-EM / TRM-7000C-EM

Note: Specifications subject to change without notice.